

# KM-901M\_H(3)

## MODULAR CRESCENT CUBER

Item # \_\_\_\_\_

Project: \_\_\_\_\_

Qty: \_\_\_\_\_

\*AutoCad available on KCL

KM-901M\_H(3)

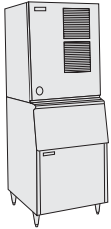
6/11

Item # 13223

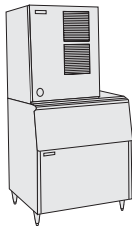
### CUBER DIMENSIONS

W x D x H

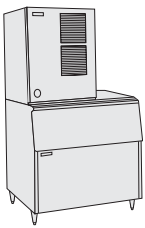
**KM-901M\_H(3)**  
30 x 27<sup>3/8</sup> x 37<sup>7/16</sup>



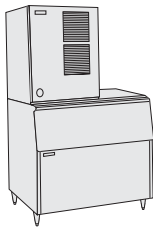
B-500



B-700



B-800



B-900



### KM-901MAH

Air-Cooled

Shown on an optional  
B-900

### KM-901MWH

Water-Cooled

### KM-901MRH

Remote Air-Cooled 1 Phase

### KM-901MRH3

Remote Air-Cooled 3 Phase

Also available on Large Bins:

B-1150SS  
B-1300SS  
B-1500SS  
B-1650SS

- Up to 912 lbs. of ice production per 24 hours
- Durable stainless steel exterior
- Individual crescent cube
- Protected by *H-GUARD Plus* Antimicrobial Agent
- CycleSaver® Design
- EverCheck® alert system
- Stainless steel evaporator
- Removable air filters (Air-cooled model only)
- R-404A Refrigerant



ISO 9001-5:2008

### Warranty

Valid in United States, Canada, Puerto Rico, & U.S. Territories. Contact factory for warranty in other countries.

**Three Year** - Parts & Labor on entire machine.

**Five Year** - Parts & Labor on: Evaporator.

**Five Year** - Parts on: Compressor, air-cooled condenser coil.



# Hoshizaki

**DIMENSIONS**  
W x D x H  
**KM-901M\_H(3)**  
30 x 27<sup>3/8</sup> x 37<sup>7/16</sup>

- Air-cooled
- Water-cooled
- Remote Air-cooled 1 Phase
- Remote Air-cooled 3 Phase

## KM-901M\_H(3) MODULAR CRESCENT CUBER

**AIR-COOLED**

Water Temp° F.	50°	70°	90°	
Air Temp° F.	70°	874	832	785
80°	842	778	736	
90°	832	<b>732</b>	687	

**WATER-COOLED**

Water Temp° F.	50°	70°	90°	
Air Temp° F.	70°	912	889	849
80°	895	860	815	
90°	889	<b>835</b>	791	

**REMOTE AIR-COOLED 1 PHASE / 3 PHASE**

Water Temp° F.	50°	70°	90°	
Air Temp° F.	70°	889 / 899	859 / 874	803 / 817
80°	866 / 880	818 / 842	755 / 772	
90°	859 / 874	<b>785 / 815</b>	724 / 749	

**UTILITY CONSUMPTION**

Model Number	Ice Production Per Cycle		KWH per 100 LBS. 90/70	Potable Water Gal. per 100 lbs. 90/70	Condenser Water Gal. per 100 lbs. 90/70
	Lbs.	Cubes			
KM-901MAH	13.6	720	5.6	19.6	N/A
KM-901MWH	13.4	720	4.5	21.8	139
KM-901MRH	13.5	720	5.4	19.3	N/A
KM-901MRH3	14.2	720	5.4	18.0	N/A

**SPECIFICATIONS**

Model Number	Condenser	Amperage	Min. Circuit Ampacity	Shipping Weight
KM-901MAH	Air-Cooled	11.4	20	256 lbs.
KM-901MWH	Water-Cooled	8.7	15	249 lbs.
KM-901MRH	Remote A-C 1 Phase	11.6	20	249 lbs.
KM-901MRH3	Remote A-C 3 Phase	7.0	20	258 lbs.

**STORAGE BINS**

Model Number	Application Capacity	ARI-Rated Capacity
B-500	500 lbs.	360 lbs.
B-700	700 lbs.	550 lbs.
B-800	800 lbs.	600 lbs.
B-900	900 lbs.	660 lbs.
B-1150	1150 lbs.	N/A
B-1300	1275 lbs.	N/A
B-1500	1490 lbs.	N/A
B-1650	1605 lbs.	N/A

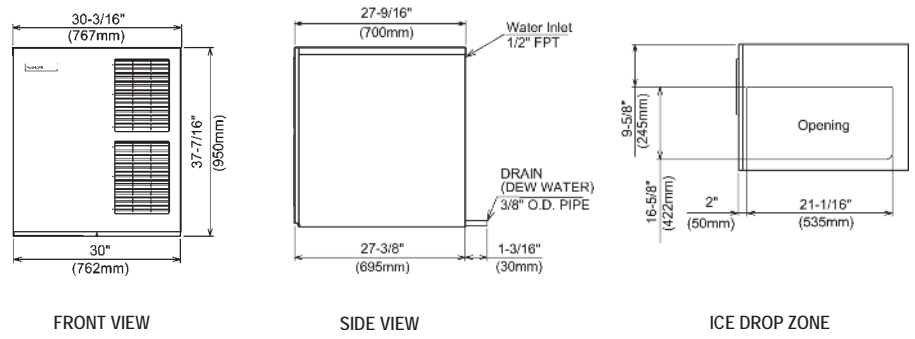
**ELECTRICAL & PLUMBING/KM-901M\_H(3)**

- 208-230V/60/1 (3 wire with dedicated neutral for 115V) / (208-230/60/3)
- 20 amp Max Fuse/HACR Breaker Size - Air-cooled units
- 15 amp Max Fuse/HACR Breaker Size - Water-cooled unit
- 1/2" OD copper or equivalent independent potable water supply
- 3/4" FPT independent drain connection



© HOSHIZAKI AMERICA, INC.

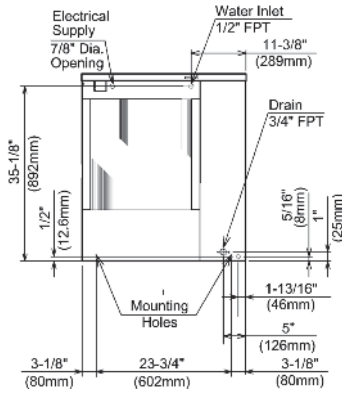
Hoshizaki [en español]



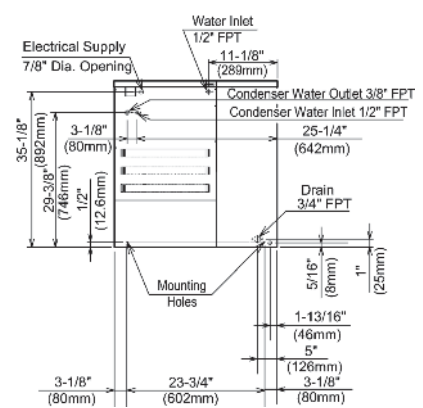
FRONT VIEW

SIDE VIEW

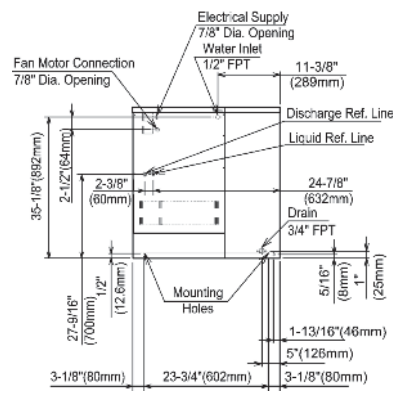
ICE DROP ZONE



AIR-COOLED UNIT

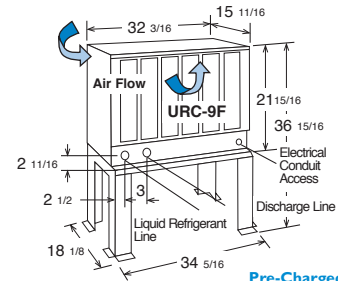


WATER-COOLED UNIT



REMOTE AIR-COOLED UNIT (1 & 3 PHASE)

**URC-9F Remote Condenser** (Sold Separately)  
For Use with KM-901MRH & KM-901MRH3



**Pre-Charged Tubing Kits**

- (Sold Separately)
- 20' R404-2068-2
- 35' R404-3568-2
- 55' R404-5568-2



**Voltage supply for the URC Remote Condenser is supplied from the Ice Maker. No additional circuit is required.**

**OPERATING LIMITS**

- Ambient Temp Range 45 - 100°F
- Water Temp Range 45 - 90°F
- Water Pressure 10 - 113psig
- Voltage Range 187 - 253V

**CONDENSING UNIT**

- Voltage Range 104 - 127V
- Ambient Temp Range -20 - 122°F

**SERVICE**

- Panels easily removed and all components accessible for service.
- Removable/cleanable air filters (Air-Cooled model only)

