



**Project:**

**Item Number:**

**Quantity:**

Cayenne® Cheese Melter/Warmer Oven

The Vollrath Company, L.L.C.

**CAYENNE® CHEESE MELTER/WARMER OVEN**



*Cayenne® Cheese Melter/Warmer Oven*

**MODELS**

**40700 Cheese Melter/Warmer Oven**

**FEATURES**

- Infinite control
- Removable food grid can be slid into three positions to accommodate different size foods and control the distance from the heating element
- Indicator lamp provides visual notification the element is heating
- Crumb tray is removable for easy clean-up
- Removable rear panel enables "pass-through" use
- Adjustable feet
- Stainless steel construction is robust and easy to clean
- 3kW quartz heading element
- 4 ft. (1.2 meters) cord with plug

**DESCRIPTION**

Vollrath's versatile stainless steel cheese melter/warmer oven provides melting, grilling, roasting and browning functions in a compact countertop unit. It is ideal for melting and gratinating cheese on sandwiches, soups, nachos, etc. Additionally, it can be used for warming pizza, breads and rolls, pastries, or croissants.

**IMPORTANT**

There must be a minimum 4" (10 cm) between the cheese melter/warmer oven and any surrounding walls. The surrounding walls and countertop surfaces must be made of non-combustible materials. The unit must be installed in accordance with local fire and building regulations.

**WARRANTY:** All models shown come with Vollrath's standard warranty against defects in materials and workmanship. For full warranty details, please refer to the Vollrath Equipment and Smallwares Catalog.

**Agency Listings**



*Due to continued product improvement, please consult [www.vollrathco.com](http://www.vollrathco.com) for current product specifications.*

| Approvals | Date |
|-----------|------|
|           |      |



Setting the Standard™

[www.vollrathco.com](http://www.vollrathco.com)

Vollrath internet

The Vollrath Company, L.L.C.  
 1236 North 18th Street  
 Sheboygan, WI 53081-3201 U.S.A.  
 Customer Service: 800.628.0830  
 Canada Customer Service: 800.695.8560  
 Main Fax: 800.752.5620 or 920.459.6573

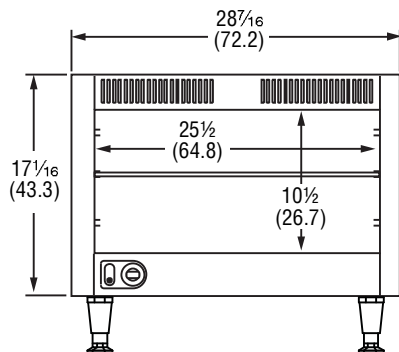
Technical Services: 800.628.0832  
 Technical Services Fax: 920.459.5462

# CAYENNE® CHEESE MELTER/WARMER OVEN

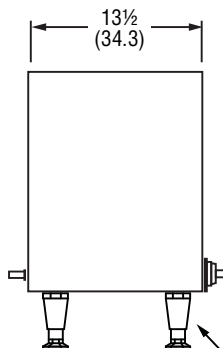
**MODELS** 40700 Cheese Melter/Warmer Oven

## DIMENSIONS

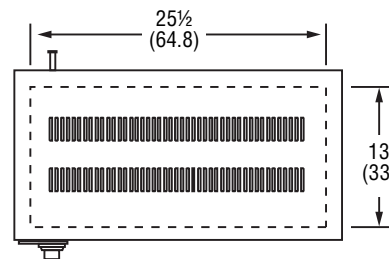
Dimensions shown in inches (cm).



Front View



Side View



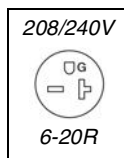
Top View

Adjustable legs  
4-5 1/2 (10.2 - 14)

## ELECTRICAL SPECIFICATIONS

| Item  | Voltage | Watts     | Amps      | Plug  |
|-------|---------|-----------|-----------|-------|
| 40700 | 208-240 | 2253-3000 | 10.8-12.5 | 6-20P |

### Receptacle



www.vollrathco.com

Vollrath internet

The Vollrath Company, L.L.C.  
1236 North 18th Street  
Sheboygan, WI 53081-3201 U.S.A.  
Customer Service: 800.628.0830  
Canada Customer Service: 800.695.8560  
Main Fax: 800.752.5620 or 920.459.6573

Technical Services: 800.628.0832  
Technical Services Fax: 920.459.5462