



KM-160B_J

SELF-CONTAINED CUBER WITH BUILT-IN STORAGE BIN



KM-160B_J
07/17/18
Item # 13170

Item #: _____
Project: _____
Qty: _____
AIA#: _____

W x D x H
23^{3/4}" x 28" x 39"*
*including 6" legs

ADA Compliant

**KM Edge
DESIGN**

KM-160BAJ
Air-Cooled

KM-160BWJ
Water-Cooled



Features

- ▶ Individual crescent cube
- ▶ Stainless steel evaporator
- ▶ CycleSaver™ design

- Up to 162 lbs. of ice production per 24 hours
- Built-in storage capacity of 2.6ft³/78 lbs.*
- Durable stainless steel exterior
- Front-in, front-out airflow with removable air filter
- Slide in door
- 6.5 ft. (2000 mm) power cord with NEMA 5-15P plug
- Power switch accessible without panel removal
- Built-in installation possible
- H-GUARD Plus Antimicrobial adds extra protection to the ice scoop (included)
- EverCheck™ alert system
- R-134a Refrigerant

Warranty:

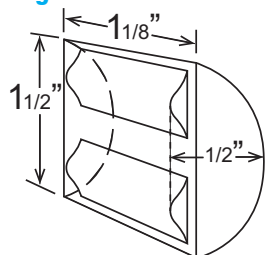
3 Year Parts & Labor on entire machine. 5 Year Parts & Labor on Evaporator. 5 Year Parts on Compressor; air-cooled condenser coil. Valid in United States, Canada, Puerto Rico and U.S. Territories. Contact factory for warranty in other countries.



ICE PRODUCTION WATER USAGE ELECTRICAL

Condenser	Model	Air / Water Temp Lbs. per 24 hours		Potable Gal. per 100 lbs.		Condenser Gal. per 100 lbs.		kWh Used per 100 lbs.	Min. Circuit Amp. - Max Fuse/Breaker	Amperage	Voltage	Heat Rejection BTU/hr.	Refrigerant Charge Amount	Net / Ship Weight (lbs.)
		70°/50°F	90°/70°F	90°/70°F	90°/70°F									
Air-Cooled	KM-160BAJ	162	130	22.7	N/A	8.27	15A	7.1A	115V/60/1	3,050	7.4 oz.	117 / 159		
Water-Cooled	KM-160BWJ	157	147	23.9	161.5	6.23	15A	6.4A	115V/60/1	2,900	10.6 oz.	121 / 163		

KM Edge Cube Dimensions*



* approximate size in inches, image not to scale

Operating Limits

- Ambient Temp Range 45 - 100°F
- Water Temp Range 45 - 90°F
- Water Pressure 10 - 113 PSIG
- Voltage Range 104 - 127V

Service

- Allow enough space at rear for water supply and drain connections, at least 12" (30 cm) clearance at front and at least 0.6" (15 mm) clearance at top for maintenance.

Plumbing

- Icemaker Water Supply Line: Minimum 1/4" Nominal ID Copper Water Tubing or Equivalent
- Icemaker Drain Line: Minimum 3/4" Nominal ID Hard Pipe or Equivalent

Water Filter

Please refer to water filter spec sheet for recommended configurations.



KM-160B_J

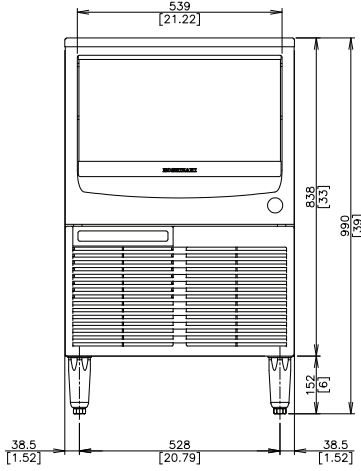
**SELF-CONTAINED CUBER
WITH BUILT-IN STORAGE BIN**



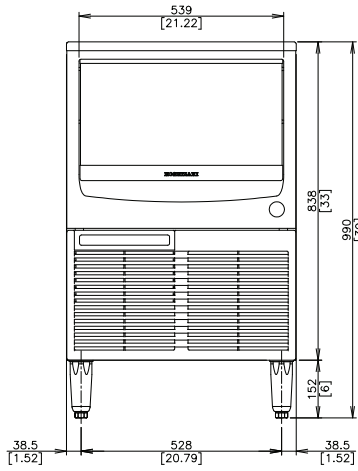
KM-160B_J
07/17/18
Item # 13170

mm
[inch]

FRONT VIEW

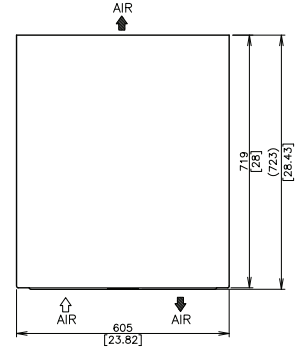


AIR-COOLED

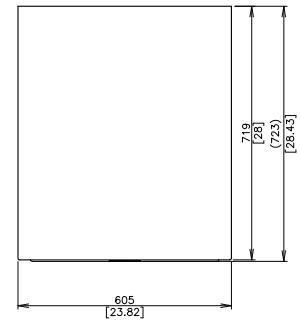


WATER-COOLED

TOP VIEW

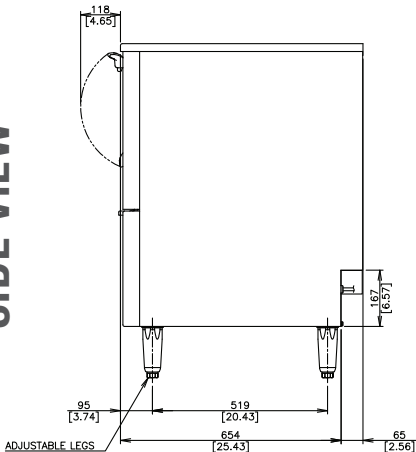


AIR-COOLED

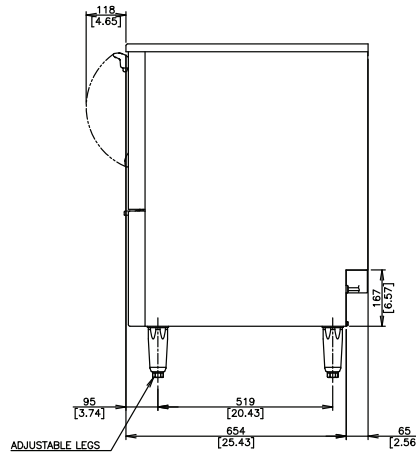


WATER-COOLED

SIDE VIEW

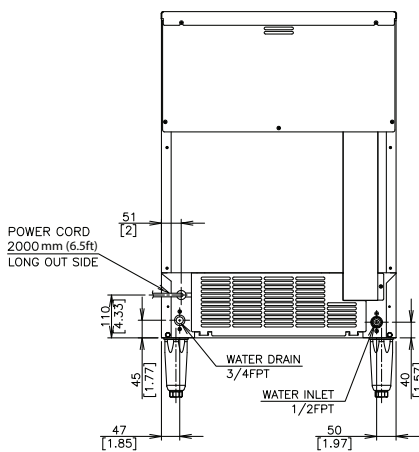


AIR-COOLED

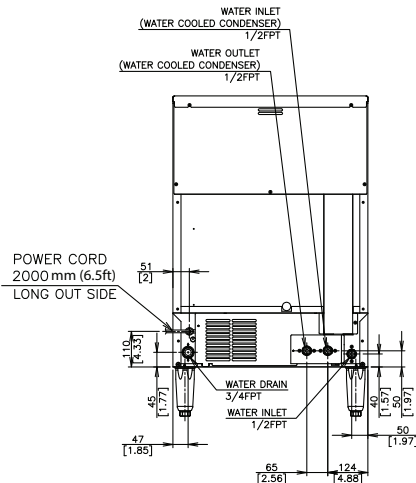


WATER-COOLED

REAR VIEW



AIR-COOLED



WATER-COOLED