

# AR-7H

## HOT HOLDING ROTISSERIE COMPANION



PASS-THROUGH  
OPTION SHOWN



- HALO HEAT... a controlled, uniform heat source that gently surrounds foods for better appearance, taste, and longer holding life.
- Smart styling, advanced design.
- Adjustable thermostat and temperature gauge monitor inside air temperature.
- Solid state electronic control option simplifies temperature setting, has a clear, easy-to-read LED display, and is adjustable in increments of 1 degree.
- Stackable with an identical holding cabinet or matching rotisserie oven.
- Solid stainless steel back prevents further heat loss.

Reach-in companion holding cabinet with non-magnetic stainless steel construction throughout. The cabinet is controlled by one (1) ON/OFF power switch, one (1) adjustable thermostat, 60° to 200°F (16° to 93°C); includes one (1) indicator light; and one (1) holding temperature gauge to monitor inside air temperature. The compartment is equipped with four (4) 60 watt bulbs, four (4) stainless steel wire shelves, two (2) stainless steel side racks, and sixteen (16) non-tilt pan support rails spaced at 2-15/16" (75mm) centers. Low-e glass door and magnetic latch is hinged right, with one (1) rugged, easy-grip, curved handle. One (1) set of 5" (127mm) heavy duty casters—two (2) rigid and two (2) swivel with brake—are included.

Electronic control includes a 4-digit LED display, ON/OFF key, up and down arrow keys for temperature adjustment, and miscellaneous indicator lights for operational status. The control has a built-in lock out feature.

**MODEL AR-7H:** Hot Holding Rotisserie Companion

### FACTORY INSTALLED OPTIONS



ANSI/NSF 4



- Electrical Choices
  - 120V
  - 208-240V
  - 230V
- Control Choices
  - Electronic
  - Manual
- Panel Color Choices
  - Stainless Steel, standard
  - Black, optional
  - Burgundy, optional
- Door Choices
  - Reach-in, solid back, standard  
Single pane, flat glass door
  - Reach-in, solid back, standard  
Double pane, curved glass door
  - Pass-through, optional  
Single pane, flat glass door
  - Pass-through, optional  
Double pane, curved glass door
- Door Swing Choices
  - Right-hand, standard
  - Left-hand, optional



W164 N9221 Water Street • P.O. Box 450 • Menomonee Falls, Wisconsin 53052-0450 • U.S.A.

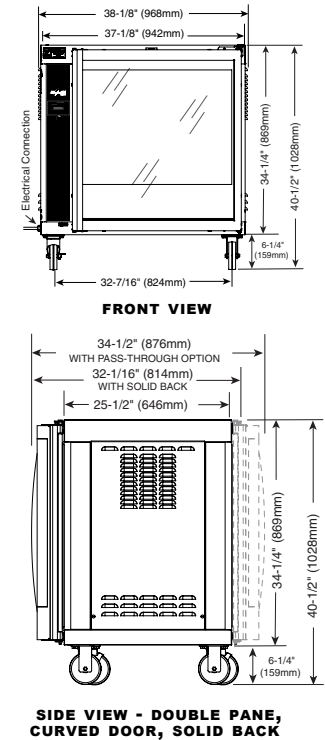
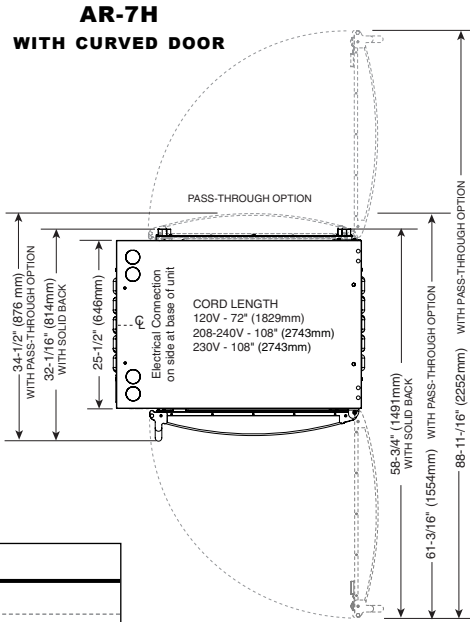
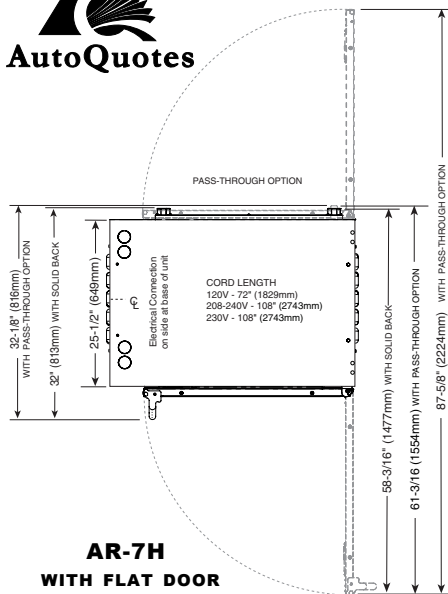
PHONE: 262.251.3800 800.558.8744 U.S.A./CANADA FAX: 262.251.7067 800.329.8744 U.S.A. ONLY

[www.alto-shaam.com](http://www.alto-shaam.com)



# AR-7H

## HOT HOLDING ROTISSERIE COMPANION



PRODUCT/PAN CAPACITY	
60 lbs (27 kg) MAXIMUM	
FULL-SIZE SHEET PANS*: Eight (8) 18" x 26" x 1" (457mm x 660mm x 25mm)	
HALF-SIZE SHEET PANS*: Up to Sixteen (16) 18" x 13" x 1" (457mm x 330mm x 25mm)	
CHICKEN BOATS: Up to 24 (6 per shelf)	
*WITH ADDITIONAL WIRE SHELVES	

ELECTRICAL						
VOLTAGE	PHASE	CYCLE/HZ	AMPS	KW		
120	1	60	15.0	1.8	NEMA 5-20P 20A, 125V PLUG	
208	1	60	8.5	1.8	NEMA 6-15P	
240	1	60	9.5	2.3	15A, 250V PLUG	
230	1	50/60	9.0	2.1	CEE 7/7 PLUG RATED 250V CH2-16P PLUG RATED 250V	 

<b>WEIGHT: NET:</b> 269 lb (122 kg) <b>SHIP:</b> 319 lb (145 kg)
<b>CRATED DIMENSIONS:</b> L X W X H 53" x 45" x 45" (1346mm x 1143mm x 1143mm)

DIMENSIONS: H x W x D	
SINGLE PANE, FLAT GLASS	
EXTERIOR: 40-1/2" x 38-1/8" x 32" (1028mm x 968mm x 813mm)	PASS-THROUGH EXTERIOR (OPTION): 40-1/2" x 38-1/8" x 32-1/8" (1028mm x 968mm x 816mm)
DOUBLE PANE, CURVED GLASS	
EXTERIOR: 40-1/2" x 38-1/8" x 32-1/16" (1028mm x 968mm x 814mm)	PASS-THROUGH EXTERIOR (OPTION): 40-1/2" x 38-1/8" x 34-1/2" (1028mm x 968mm x 876mm)
CLEARANCE REQUIREMENTS	
6" (152mm) left, right, and rear sides	
INSTALLATION REQUIREMENTS	
<ul style="list-style-type: none"> <li>Appliance must be installed level. It must not be installed in any area where it may be affected by steam, grease, dripping water, high temperatures, or any other severely adverse conditions.</li> <li>In order to maintain NSF standards, models must be sealed at bottom for NSF approved sealant, equipped with casters, 4" (102mm) legs for counter models, or 6" (152mm) legs for floor models.</li> </ul>	

ACCESSORIES	
<input type="checkbox"/> DOOR HANDLE (NON-CONTROL SIDE) HD-26900	<b>STACKING ASSEMBLY</b> <input type="checkbox"/> AR-7H OVER AR-7H 5009711 <input type="checkbox"/> AR-7E OR AR-7EVH (208-240V, 1PH) OVER AR-7H 5008787 <input type="checkbox"/> AR-7E OR AR-7EVH (208-240V, 3PH) OVER AR-7H 5008948 <input type="checkbox"/> AR-7E OR AR-7EVH (380-415V) OVER AR-7H 5008922
<b>LEGS</b> <input type="checkbox"/> LEGS, 6" (152mm) ASSEMBLY 5001414 <input type="checkbox"/> LEGS, 6" (152mm) ASSEMBLY, FLANGED FEET 5001761	
<b>SHELF</b> <input type="checkbox"/> SHELF, CHROME PLATED WIRE SH-2851 <input type="checkbox"/> SHELF, STAINLESS STEEL WIRE SH-24720	<b>STAND, STAINLESS STEEL</b> <input type="checkbox"/> WITH STORAGE SHELF FR-26550 <input type="checkbox"/> OPEN (AR-7H OVER 750-S OR 6•10iNes) 5002058