

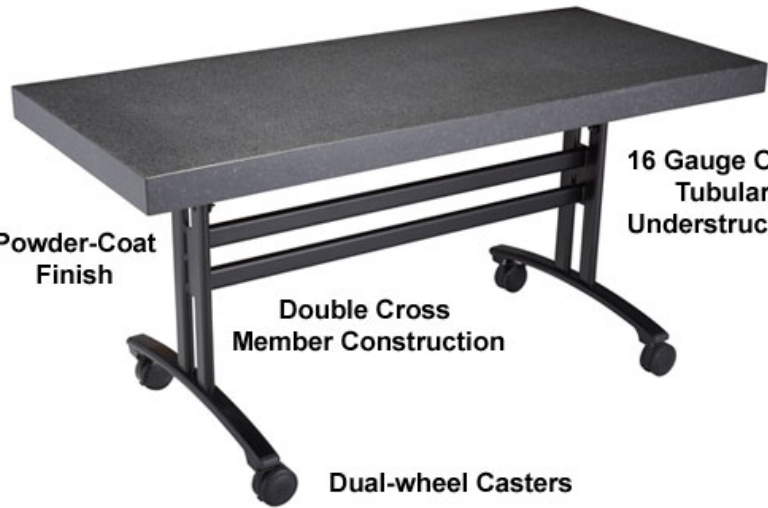
# SICO<sup>®</sup> Sophisticate Table

Style, mobility, and durability in one upscale table.



Tabletop Folds/Nests for Storage

NSF Certified Natural Stone Composite Tabletop Surface



Powder-Coat Finish

Double Cross Member Construction

Dual-wheel Casters

16 Gauge Oval Tubular Understructure

## Features, Advantages & Benefits

### Table Top Surfaces

- **Top folds & nests** for efficient storage using up less facility space when not in use.
- **NSF Certified Natural Stone Composite Top**
  - Completely sealed top surface is durable and easy-to-clean.
  - Superior scratch and stain resistant. Cut directly on the table surface.
  - Set hot items up to 500° directly on the NSF certified surface material without scalding.
  - Exquisite top color choices. An elegant and refined high-end table.
  - Durable .25" (.6cm) natural stone composite top made of 95% natural stone and 5% polymer formed over .75" (2cm) MDF.
- **High-pressure Laminate**
  - Tough surface for added durability and long-term wear.
  - Sanitary and easy-to-clean.
  - A large variety of striking colors and patterns are available to fit any color scheme.

### Table Frame

- **Oval Tubular Understructure** – Adds style and strength to the table.
- **Double Cross Member Construction** - Adds strength & longevity.

**Black Powder-coat Finish** - Durable understructure with elegant baked-on surface.

**Pneumatic Dampers** - Makes folding the tabletop quick and easy.

**Mobile Dual-wheel Casters** - Easily roll table into and out of service for any function. Non-marring, 4" (10cm) caster wheels protect floors.

**Free Space Analysis** - Take advantage of the free space analysis drawings which will provide you with the appropriate number of tables and table accessories.

**Warranty** – Comes with a **3-Year Warranty** on original SICO components. **Lifetime Warranty** on welds.



For More Information Visit: <http://www.sicoinc.com/sophisticate.php>

7525 Cahill Road, Minneapolis MN 55439

1.800.533.7426

## Specifications

Model No.	Description	Table Top	Table Height	Weight
TBW11NPG??2?B	Laminate Top with Wood Edge	32" (82cm) W x 72" (183cm) L	36" (91cm) or 32" (82cm).	127 lbs. (57kg)
TBL11NPG????B	All-Laminate Top	32" (82cm) W x 72" (183cm) L	36" (91cm) or 32" (82cm).	127 lbs. (57kg)
TBG11NPG6?00B	Natural Stone Composite Top	32" (82cm) W x 72" (183cm) L.	36" (91cm) or 32" (82cm).	205 lbs. (92kg)

\* Custom laminate colors available. Custom Natural Stone Composite choices available.

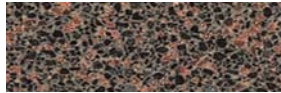
## Natural Stone Composite Top Options



Nero Galaxy (60)



Karra Oro (62)



Sachi (64)



Bianco Modena (67)

## Laminate Options



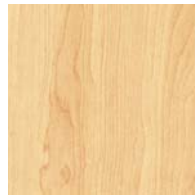
Wild Cherry (49)



Bannister Oak (10)



Nepal Teak (74)



Kensington Maple (77)



Gray Nebula (38)



Graphite Nebula (50)



Windswept (51)



Saffron Tigris (54)



Navy Legacy (53)



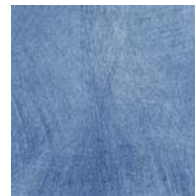
Green Tigris (76)



Karratha Brush (70)



Maroochy Brush (71)



Woolamai Brush (72)



Mission Glaze (73)

\* Check with a SICO Representative for additional laminate choices available.

## Wood Trim Options



Burgundy Walnut



Cape Cod



Natural

## Table Leg Frame Options



Black (B)



Copper Vein (R)



Silver Vein (L)

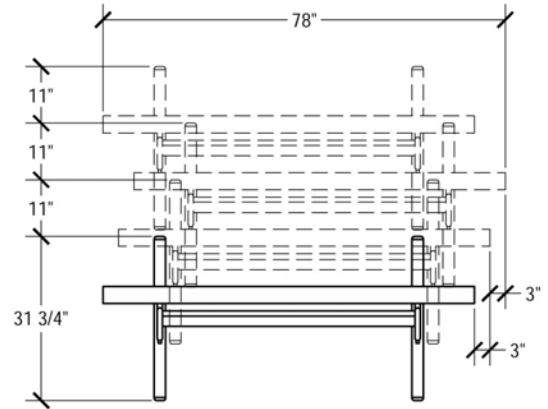
# SICO<sup>®</sup> Sophisticate Table Dimensions

## Dimensions

Top Height: 36" Folded Height: 47" Table Top Size: 32x72"



Table Dimensions



Storage Configuration



For More Information Visit: <http://www.sicoinc.com/sophisticate.php>

7525 Cahill Road, Minneapolis MN 55439

1.800.533.7426