



Model:

HDSCTH-12

HDSCTH-24

HDSCTH-36

Description: Gas Range

STANDARD FEATURES:

- With pull out crumb tray.
- The 12" x 12" grates can be taken off.
- The body is made of stainless steel, achieving a simple and elegant look.
- Smooth flat surface for ease of moving pots.
- Energy efficiency and safe to operate.

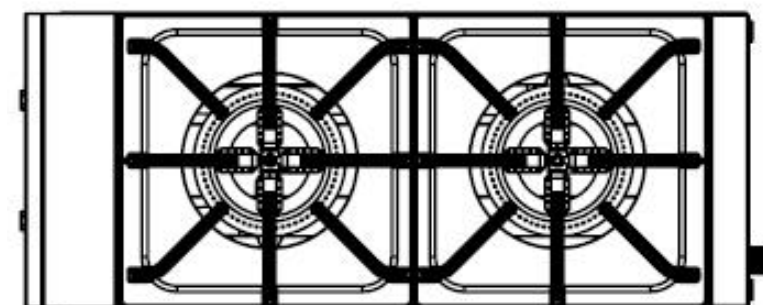
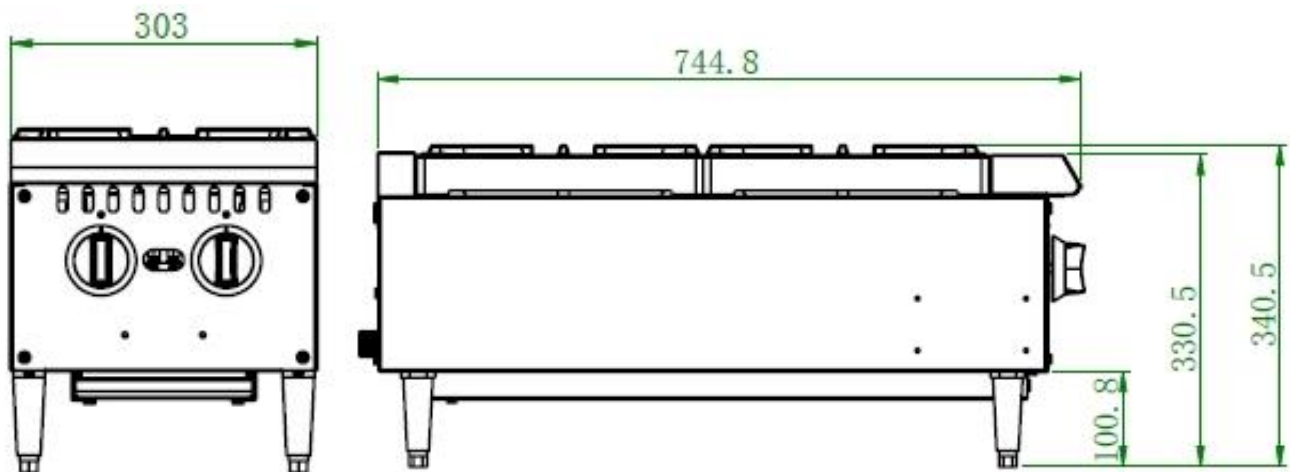


SPECIFICATION:

HDSCTH-12

Dimension	300*740*(230+100) mm
Power	50,000BTU/Hr.
Net Weight	38KG

View and Sizes:

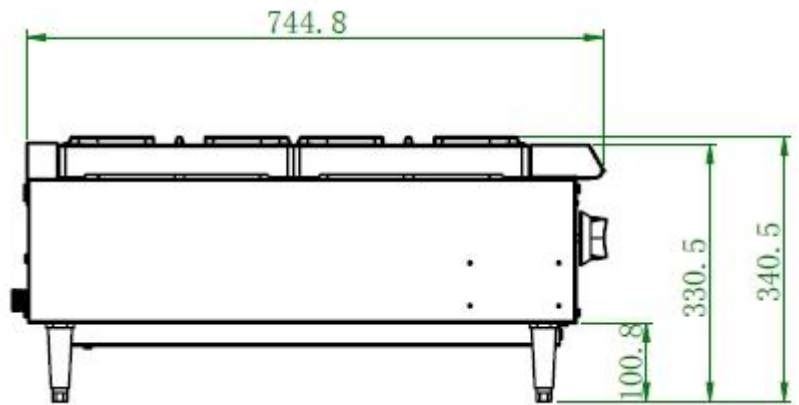
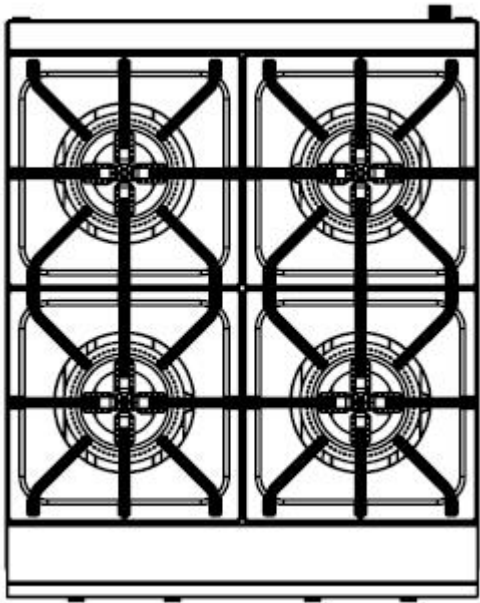




HDSCTH-24

Dimension	610*740*(230+100) mm
Power	100,000BTU/Hr.
Net Weight	57KG

View and Sizes:





HDSCTH-36

Dimension	960*740*(230+100) mm
Power	150,000BTU/Hr.
Net Weight	86KG

View and Sizes:

