



Gas Salamander Broiler

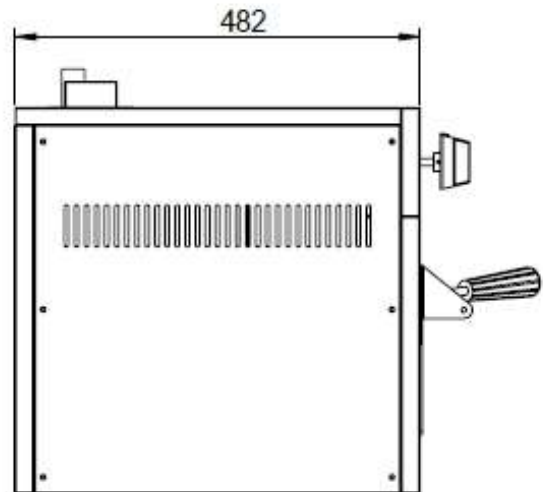
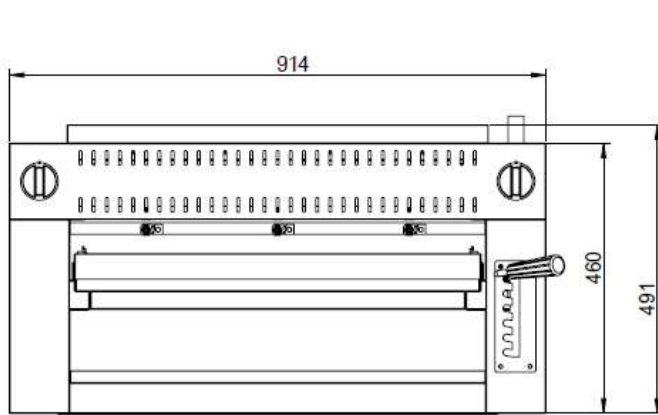
□ HDSVSAL-36 Gas Salamander Broiler

STANDARD FEATURES



- Stainless steel structure
- 6 Cast iron burner, total 36,000 BTU/hr
- Infrared burner can cook food much quicker
- Spring-balanced lifting system, easy to adjust
- Grills can be rolled out for easy loading, unloading and cleaning
- Grill stopper to prevent grills falling off
- 5-height locking position to have different temperature
- Continuous pilot for instant ignition of main burner
- Stainless steel crumb tray to collect dropped food
- Wall mounting kit included for saving kitchen space
- Can match 36" or 60" ranges (Kit to be ordered additionally)
- 3/4" NPT rear gas connection

Model: HDSVSAL-36



Model	Description	Dimension	Total BTU/HR	Packing Size(IN)	N/W (LB)	G/W (LB)
HDSVSAL-36	Gas salamander	36x19x19	36,000	39x26x28	104	140